

# B100c B110c B115c

TIER 4i  
INSIDE



	B100C	B110C	B115C
BUCKET CAPACITY	UP TO 1.0 m <sup>3</sup> BUCKET	UP TO 1.2 m <sup>3</sup> BUCKET	UP TO 1.2 m <sup>3</sup> BUCKET
ENGINE POWER	97 HP	110 HP	110 HP
MAX DIGGING DEPTH	5.8 m	5.8 m	5.6 m



BUILT AROUND YOU

# AS LONG AS WE KEEP ON BUILDING, THERE

## 14% FUEL SAVING

Tier 4 Interim backhoe loader

## BEST IN CLASS PRODUCTIVITY

10% more power than  
competitive machines



# WE WILL ALWAYS BE A DREAM TO ACHIEVE

## WELCOME ON BOARD

Class-leading operator  
environment

## LOW COST OF OWNERSHIP

Fuel efficient  
Easy to maintain



# 14% FUEL SAVING



## LESS FUEL CONSUMPTION, LESS EMISSIONS

The engine is the heart of a backhoe loader: that's why we design and produce it ourselves. This allows us to calibrate it in order to give you the best performance and the lowest fuel consumption for your own application.

In addition, when you are not using the full power of the machine, the variable flow hydraulic pump only takes from the engine the energy it needs. This results in significant extra fuel saving and lower noise levels.

## CLEAN ENERGY AND QUIET OPERATION IN RESIDENTIAL AREAS

The C Series backhoe loaders comply with the extremely strict Tier 4 interim regulations, dramatically cutting emissions levels, with over 90% less Particulate Matter, or soot, and 50% less Nitrogen Oxide than the previous generation. External noise levels are exceptionally low and the New Holland CB90S silenced hydraulic hammers, specially designed for the backhoe loaders, further contribute to these machines' quiet operation. They are fitted with rubber pads to reduce ground damage. The low emissions and noise levels, together with the low ground damage, make the C Series backhoe loaders ideal for working in residential areas.





## DELIVERING THE PERFORMANCE OF CRAWLER EXCAVATOR

The typical "Banana boom" is designed like the arm of a large excavator. The in-line cylinders reduce effort, improve visibility and increase digging performance. Smoother moves allows a faster positioning of the arm over the trench and increases the great stability of the machine. When digging, the load sensing hydraulic system combined with flow sharing valves provide smooth and accurate control, fast loading cycles and, when necessary, is ideal for delicate operations.



## LONG REACH ARM: BECAUSE YOU HAVE NO TIME TO LOOSE !

The long reach arm, half a meter longer than that of other backhoe loaders, means that you won't have to reposition the machine constantly.



# BEST IN CLASS PRODUCTIVITY



## JUST LIKE A WHEEL LOADER!

### EASY LOADING:

- All loading functions are on a single joystick
- Maximize bucket filling with the Powershift transmission and its kick down function at your finger tips
- Work faster with the superior loader breakout force
- Lift loads from 3.2 to 3.5 tons at 3.5 m dumping height
- Auto-Glide Ride automatically deactivates when you are loading.
- Work efficiently, keeping one hand on the steering wheel and the other on the loader joystick

### EASY ROADING:

- Optimise bucket retention with Auto-Glide Ride: no arm bounce when travelling, activates automatically at speeds over 5km/h
- Enjoy the superior comfort of the suspended seat
- Work efficiently and safely with the excellent all-round visibility provided by the wide glazed area

### GREAT ABILITY ON SOFT SOILS AND TOUGH TERRAINS:

- Excellent traction in the worst conditions with the 100% lockable differential, on the B100C and B110C and with the limited slip differential on the B115B
- Superior stability in the uneven ground of residential construction sites with the front axle that can oscillate up to 22 degrees from side to side
- Superior floatability with the 20" tyres available on the B100CTC and B110CTC

### EASY DUMPING:

- Maximise bucket retention with the bucket's mechanical self levelling on TC models
- Dump your load with ease on a truck with the curved loader arm on TC models
- Automatically return the bucket to dig after dumping simply by pushing the joystick forward and to the left

### SIMPLE LEVELLING

Just push the joystick forward to activate levelling.



## SUPERIOR POWER, GREAT CONTROL

100 or 110 hp: that is 10 hp more than our main competitors!

## SMOOTH CONTROL UNDER LOAD WITH POWERSHIFT

Available on all models, the Powershift transmission provides maximum operator comfort.

In “full automatic mode” the transmission will auto-shift either up or down the gears, depending on speed and load, improving cycle times and simplifying road travel.

The BI00C and BI10C are also available with the robust PowerShuttle transmission.

## MINIMUM DOWNTIME



- Hydraulic side shift (option):  
Fast and accurate positioning of the boom without damaging the ground
- Excellent lighting for night working
- 4 front and 4 rear working lights (on all models equipped with variable flow pump)

# WELCOME ON BOARD







## ALL CONTROLS AT YOUR FINGERTIPS

- Fully adjustable working position with outstanding visibility.
- Quiet working environment: cab interior 77 dB
- Easy cleaning
- Removable floor covering and flat cab floor make cleaning easier
- Storage room
- Cup holder
- Wider glove box

## ROOMY CAB WITH EASY ACCESS

- Simultaneous control
- All loader and bucket controls are located on the joystick
- Deluxe operator's seat
- Adjustable comfortable armrest
- Suspension seat with height pneumatically adjustable
- Unbeatable comfort on rough terrain and on the road
- Excellent ventilation
- Partial or full opening of both front and rear side windows
- Cab fan (option)
- Standard heater or air conditioning (option)

# LOW COST OF OWNERSHIP



## EXCEPTIONAL SAVINGS

If your New Holland machine is used for 800 h/year, we estimate that our new hydraulic system, including the Variable Displacement Pump, will result in average savings of up to 1000 €/year. The new engine and variable displacement pump can save up to 14% fuel compared to the previous gear pump models.



## VANDAL PROOF: PROTECT YOUR INVESTMENT ON SITE

- Secure hydraulic oil cap-breather
- Battery box is locked with a key
- Engine hood can be unlocked only from the cab
- An anti-theft device is available as option

## SMART DESIGN

- Driving light protection
- Rear driving lights have 2 positions:
- transport position: on the stabs
  - working position: on the cab, so that they are completely protected



## BEST IN CLASS ACCESSIBILITY

- The tilting engine hood provides excellent ground level access to the engine and service points.
  - Central service point location
- Daily check and fill points are accessible from ground level for time saving. On the machine's left side, just above the fuel tank, you can easily reach:
- the hydraulic pressure check points,
  - steering circuit,
  - pilot control,
- All grouped together for time and cost reduction whilst improving efficiency, durability and performance



## EASY DIAGNOSIS

Quick engine diagnosis is possible with the New Holland Electronic Service Tool

## NO SEPARATE BRAKE FLUID

Hydraulic oil is used as the brake fluid, so no need to use separate tank and no risk of using the wrong fluid



## PROTECTED BATTERY EASY TO REACH

The Battery is easily reached in the tool box located on the right side, underneath the cab. By removing one panel it is simple to access both the battery and the master switch.

# BI00C/BI00C TC

## SPECIFICATIONS BI00C



### ENGINE

Engine Power ..... 97 hp @ 2200 rpm  
 Maximum torque ..... 453 Nm @ 1400 rpm  
 Type ..... 3.4 litre FPT Industrial engine turbocharged,  
 common rail injection

18" tires 2-wheel steer  
 1.0 m<sup>3</sup> bucket  
 Powershuttle Transmission (standard)  
 Pilot / Mechanical Control

CO<sub>2</sub> emissions ..... 890 g/kWh  
 NO<sub>x</sub> emissions ..... 3.03  
 HC emissions ..... 0.004  
 CO emissions ..... 0.05  
 PM emissions ..... 0.01  
 NO<sub>x</sub> + NMHC emissions ..... 3.034



### ELECTRICAL SYSTEM

Battery ..... 12V 95Ah, 900 A (SAE) - 120 A



### HYDRAULIC SYSTEM

Type of pump ..... gear or variable displacement pump  
 Maximum flow ..... 156 or 6 to 165 l/min @ 2200 rpm  
 Maximum pressure level ..... 205 bars



### OPERATING WEIGHT

With standard backhoe and 6-in-1 bucket ..... 8120 kg  
 With Extendible Backhoe and 6-in-1 bucket ..... 8350 kg



### AXLES

Front axle with +/- 11° oscillation ..... Standard  
 Rear axle ..... 100% lockable



### TYRES

Tires can be multipurpose, hard soil specific or soft soil specific  
 Tires ..... 18" front with 26" or 28" rear

#### Turning radius

Front tyres 12.5/80-18, wheel not braked, 4WD engaged  
 - at ext. edge of front tires ..... 4300 mm  
 - at bucket corner ..... 5600 mm



### BRAKES

Power Brake with 2472 cm<sup>2</sup> friction area



### CAPACITIES

Fuel tank ..... 145 l  
 Cooling system ..... 24 l



### NOISE AND VIBRATION

Internal (dB(A)) ..... 77  
 External (dB(A)) ..... 102  
 Upper limbs 2,5 m/s<sup>2</sup> ..... 2.5  
 Abdomen 0,5 m/s<sup>2</sup> ..... 0.5

## SPECIFICATIONS BI00C TC



### ENGINE

Engine Power ..... 97 hp @ 2200 rpm  
 Maximum torque ..... 453 Nm @ 1400 rpm  
 Type ..... 3.4 litre FPT Industrial engine turbocharged,  
 common rail injection

20" or 18" tires 2-wheel steer  
 1.2 m<sup>3</sup> bucket or 1.0 m<sup>3</sup> bucket  
 Powershift / Powershuttle Transmission  
 Pilot / Mechanical Control

CO<sub>2</sub> emissions ..... 890 g/kWh  
 NO<sub>x</sub> emissions ..... 3.03  
 HC emissions ..... 0.004  
 CO emissions ..... 0.05  
 PM emissions ..... 0.01  
 NO<sub>x</sub> + NMHC emissions ..... 3.034



### ELECTRICAL SYSTEM

Battery ..... 12V 95Ah, 900 A (SAE) - 120 A



### HYDRAULIC SYSTEM

Type of pump ..... Variable Displacement  
 Maximum flow ..... 6 to 165 l/min @ 2200 rpm  
 Maximum pressure level ..... 205 bars



### OPERATING WEIGHT

With standard backhoe and 6-in-1 bucket ..... 8270 kg  
 With Extendible Backhoe and 6-in-1 bucket ..... 8500 kg



### AXLES

Front axle with +/- 11° oscillation ..... Standard  
 Rear axle ..... 100% lockable



### TYRES

Tires can be multipurpose, hard soil specific or soft soil specific  
 Tires ..... 18" front with 26" or 28" rear or 20" front with 30" rear

#### Turning radius

Front tyres 12.5/80-18, wheel not braked, 4WD engaged  
 - at ext. edge of front tires ..... 4300 mm  
 - at bucket corner ..... 5600 mm



### BRAKES

Power Brake with 2472 cm<sup>2</sup> friction area



### CAPACITIES

Fuel tank ..... 145 l  
 Cooling system ..... 24 l



### NOISE AND VIBRATION

Internal (dB(A)) ..... 77  
 External (dB(A)) ..... 102  
 Upper limbs 2,5 m/s<sup>2</sup> ..... 2.5  
 Abdomen 0,5 m/s<sup>2</sup> ..... 0.5

# BI10CTC/BI15CTC

## SPECIFICATIONS BI10CTC

### ENGINE

Engine Power ..... 110 hp @ 2200 rpm  
 Maximum torque..... 460 Nm @ 1400 rpm  
 Type ..... 3.4 litre FPT Industrial engine turbocharged,  
 common rail injection

20" or 18" tires 2-wheel steer  
 1.2 m<sup>3</sup> bucket or 1.0 m<sup>3</sup> bucket  
 Powershift /Powershuttle Transmission  
 Pilot / Mechanical Control

CO<sub>2</sub> emissions..... 890 g/kWh  
 NO<sub>x</sub> emissions ..... 3.03  
 HC emissions..... 0.004  
 CO emissions ..... 0.05  
 PM emissions ..... 0.01  
 NO<sub>x</sub> + NMHC emissions ..... 3.034

### ELECTRICAL SYSTEM

Battery ..... 12V 95Ah, 900 A (SAE) - 120 A

### HYDRAULIC SYSTEM

Type of pump ..... Variable Displacement  
 Maximum flow..... 6 to 165 l/min @ 2200 rpm  
 Maximum pressure level..... 205 bars

### OPERATING WEIGHT

With standard backhoe and 6-in-1 bucket..... 8270 kg  
 With Extendible Backhoe and 6-in-1 bucket..... 8500 kg

### AXLES

Front axle with +/- 11° oscillation ..... Standard  
 Rear axle ..... 100% lockable

### TYRES

Tires can be multipurpose, hard soil specific or soft soil specific  
 Tires..... 18" front with 26" or 28" rear or 20" front with 30" rear  
**Turning radius**

Front tyres 12.5/80-18, wheel not braked, 4WD engaged  
 - at ext. edge of front tires..... 4300 mm  
 - at bucket corner ..... 5600 mm

### BRAKES

Power Brake with 2472 cm<sup>2</sup> friction area

### CAPACITIES

Fuel tank..... 145 l  
 Cooling system..... 24 l

### NOISE AND VIBRATION

Internal (dB(A))..... 77  
 External (dB(A))..... 103  
 Upper limbs 2,5 m/s<sup>2</sup>..... 2.5  
 Abdomen 0,5 m/s<sup>2</sup>..... 0.5

## SPECIFICATIONS BI15CTC

### ENGINE

Engine Power ..... 110 hp @ 2200 rpm  
 Maximum torque..... 460 Nm @ 1400 rpm  
 Type ..... 3.4 litre FPT Industrial engine turbocharged,  
 common rail injection

4 equal-sized wheel steer  
 1.2 m<sup>3</sup> bucket  
 Powershift Transmission (standard)  
 Pilot / Mechanical Control

CO<sub>2</sub> emissions..... 890 g/kWh  
 NO<sub>x</sub> emissions ..... 3.03  
 HC emissions..... 0.004  
 CO emissions ..... 0.05  
 PM emissions ..... 0.01  
 NO<sub>x</sub> + NMHC emissions ..... 3.034

### ELECTRICAL SYSTEM

Battery ..... 12V 95Ah, 900 A (SAE) - 120 A

### HYDRAULIC SYSTEM

Type of pump ..... Variable Displacement  
 Maximum flow..... 6 to 165 l/min @ 2200 rpm  
 Maximum pressure level..... 205 bars

### OPERATING WEIGHT

With standard backhoe and 6-in-1 bucket..... 8870 kg  
 With Extendible Backhoe and 6-in-1 bucket..... 9100 kg

### AXLES

Front axle with +/- 11° oscillation ..... Standard  
 Rear axle ..... Limited Slip Differential (front and rear)

### TYRES

Tires can be multipurpose, hard soil specific or soft soil specific  
 Tires..... 24" front with 24" or 28" front with 28" rear  
**Turning radius**

Front tyres 12.5/80-18, wheel not braked, 4WD engaged  
 - at ext. edge of front tires..... 4300 mm  
 - at bucket corner ..... 5600 mm

### BRAKES

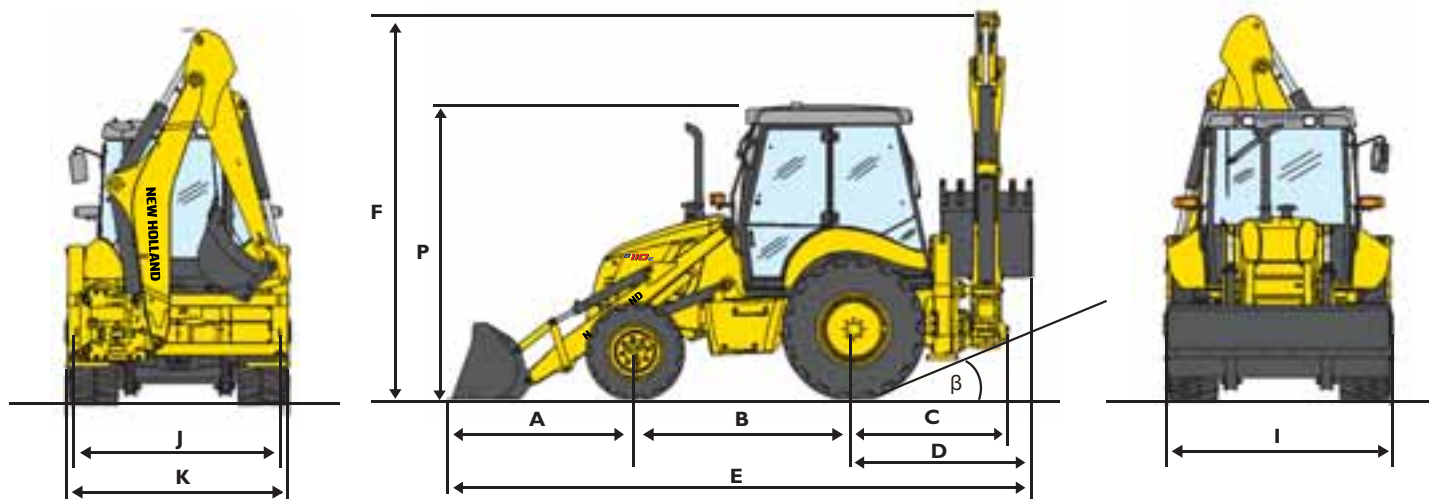
Power Brake with 2472 cm<sup>2</sup> friction area

### CAPACITIES

Fuel tank..... 124 l  
 Cooling system..... 24 l

### NOISE AND VIBRATION

Internal (dB(A))..... 77  
 External (dB(A))..... 103  
 Upper limbs 2,5 m/s<sup>2</sup>..... 2.5  
 Abdomen 0,5 m/s<sup>2</sup>..... 0.5



## OVERALL DIMENSIONS

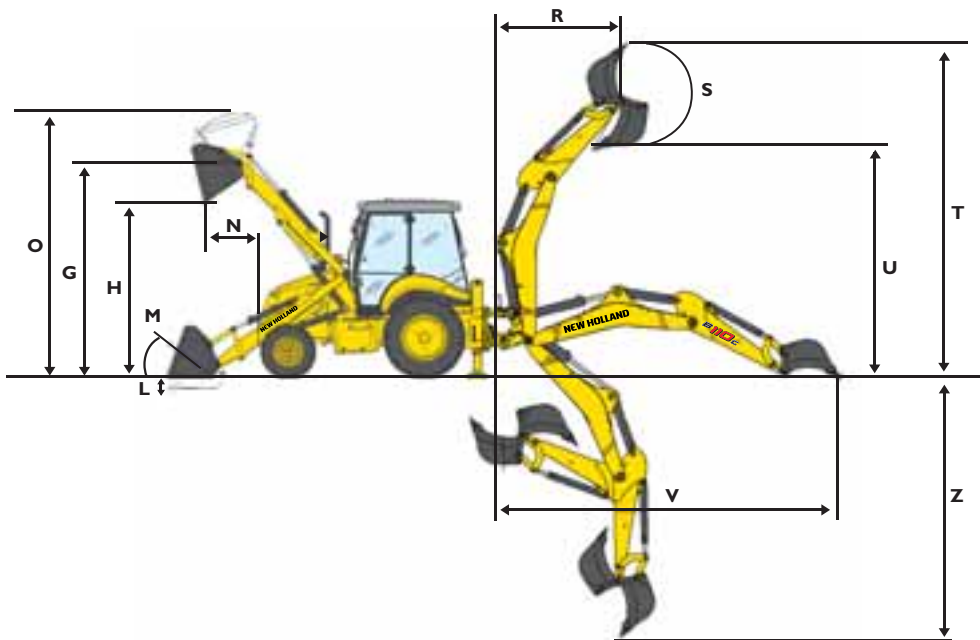
		<b>B 100C</b>
<b>A</b> - Ground distance over front axle	mm	1870
<b>B</b> - Wheelbase	mm	2175
<b>C</b> - Pivot distance over rear axle	mm	1320
<b>D</b> - Max distance over rear axle (with 915 mm backhoe bucket)	mm	1780
<b>E</b> - Overall length	mm	5825
<b>F</b> - Height to top of boom	°	3875
$\beta$ - Back ramp angle	mm	23
<b>P</b> - Cab height	mm	2940
<b>I</b> - Loader bucket width	mm	2250
<b>J</b> - Stabiliser width	mm	2250
<b>K</b> - Overall width	mm	2325

## LOADER SPECIFICATIONS

		<b>B 100C</b>
Maximum loader breakout force	daN	6900
Lifting capacity to maximum height	kg	3550
<b>L</b> - Digging depth	mm	75
<b>M</b> - Bucket roll back angle on ground	°	40
<b>N</b> - Reach at full height	mm	785
<b>O</b> - Maximum operating height	mm	4330
<b>G</b> - Hinge pin height	mm	3500
<b>H</b> - Maximum dump height under bucket at 45 °	mm	2780

## BACKHOE SPECIFICATIONS

		<b>B 100C</b>	
		retracted	extended
Bucket Breakout force	daN	6400	
Dipper breakout force	daN	4620	3200
<b>R</b> - Digging reach at max height	mm	2330	3190
<b>S</b> - Bucket rotation	°	204	204
<b>T</b> - Digging height	mm	5650	6305
<b>U</b> - Dumping height	mm	3930	4585
<b>V</b> - Digging reach at ground level	mm	5870	6815
<b>Z</b> - Digging depth	mm	4710	5750



B100CTC		B110CTC		B115CTC	
1870		1870		1965	
2175		2175		2200	
1320		1320		1325	
1780		1780		1780	
5825		5825		5945	
3825		3825		3930	
23		23		22	
2940		2940		2960	
2250/2400		2250/2400		2400	
2250		2250		2250	
2325		2325		2325	

B100CTC		B110CTC		B115CTC	
6650		6650		7400	
3195		3195		3550	
125		125		155	
46		46		45	
813		813		825	
4405		4405		4480	
3460		3460		3490	
2693		2693		2650	

B100CTC		B110CTC		B115CTC	
retracted	extended	retracted	extended	retracted	extended
6400		6400		6400	
4620	3200	4620	3200	4620	3200
2330	3190	2330	3190	2315	3130
204	204	204	204	204	204
5650	6305	5650	6305	5815	6475
3930	4585	3930	4585	4090	4750
5860	6815	5860	6815	5850	6810
4710	5750	4710	5750	4565	5600

# ATTACHMENTS OFFERING

	Width	Capacity	Weight	Hydraulics	
<b>BUCKETS LOADER</b>					
 6 in l  4 in l	2250 mm	1000 l	300 Kg	Hydraulic line, double acting	B100C B110C - B115C
	2400 mm	1150 l	380 Kg		
<b>BUCKETS BACKHOE</b>					
	305 mm	76 l	108 Kg	Not required	
	460 mm	109 l	130 Kg		
	610 mm	153 l	160 Kg		
	760 mm	196 l	180 Kg		
	915 mm	238 l	210 Kg		
<b>DITCH CLEANING BUCKET</b>					
	1200 mm	240 mm	170 mm	Not required	
	1500 mm	280 mm	190 mm		
<b>V-TYPE BUCKET</b>					
	1000 mm (Sup.)	243 l	229 kg	Not required	
	200 mm (Inf.)	150 l	160 kg		
<b>HAMMER</b>					
	<b>Model</b>	<b>Tool dia.</b>	<b>Weight</b>	Hydraulic line, single acting valve	
	CB65S CB90S	63 mm 80 mm	315 Kg 360 Kg		
<b>SNOW BLADE</b>					
	2640 mm	Specially designed for snow removal in tough conditions. Hydraulically powered with 30° angle to the right or left. Double acting valve is necessary.			
<b>AUGERS</b>					
	A complete range of augers from 150 to 1,050 mm diameter is available for each application: installation of telegraph poles, electricity pylons, signposts, pillars, tree and shrub planting. For more details contact your dealer.				

## AT YOUR OWN DEALERSHIP

The information contained in this brochure is intended to be a general nature only. The NEW HOLLAND KOBELCO CONSTRUCTION MACHINERY S.p.A. company may at any time and from time to time, for technical or other necessary reasons, modify any of the details or specifications of the product described in this brochure. Illustrations do not necessarily show products in standard conditions. The dimensions, weights and capacities shown herein, as well as any conversion data used, are approximate only and are subject to variations within normal manufacturing techniques.

Printed on recycled paper  
CoC-FSC 000010 CQ Mixed sources



Published by NEW HOLLAND KOBELCO CONSTRUCTION MACHINERY S.p.A  
Printed in Italy - MediaCross Firenze - Cod. 30666GB - Printed 05/12



www.newholland.com

